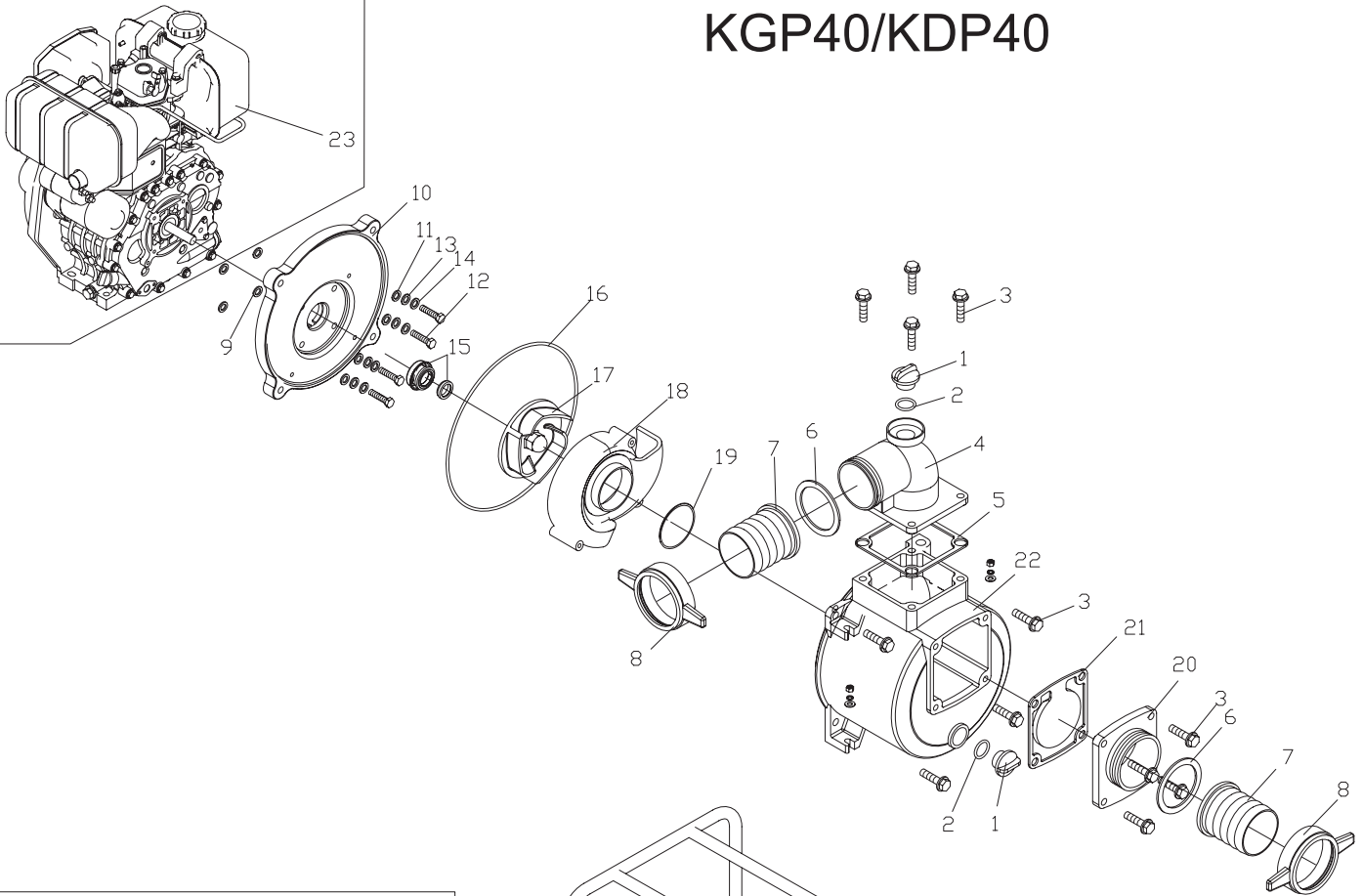


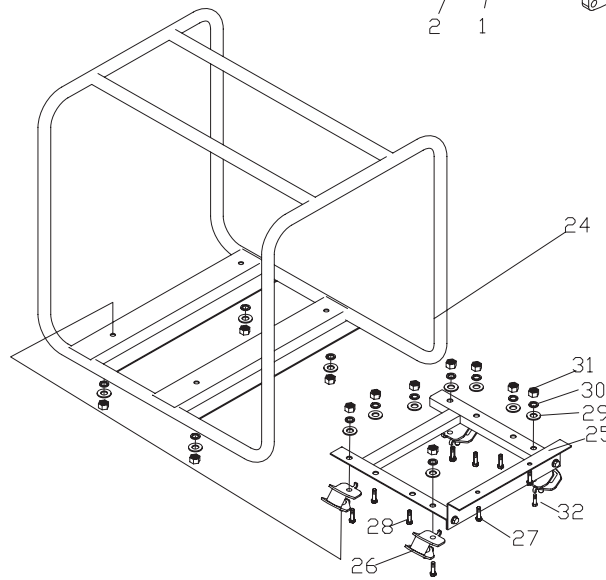
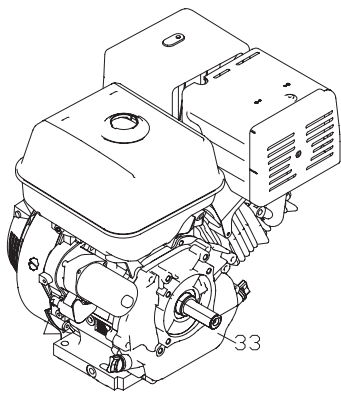
KDP40

ASSEMBLY AND PART DRAWING

KGP40/KDP40



KGP40



| No. | Part No. | Description | Qty. | No. | Part No. | Description | Qty. | No. | Part No. | Description | Qty. |
|-----|-----------------|--------------------------------|------|-----|---------------|--------------------------------------|------|-----|---------------|----------------------------|------|
| 1 | 100KBZ-01013 | Screw | 2 | 15 | 100KBZ-01100 | Mechanical Seal Device | 1 | 29 | GB/T971-2002 | Washer 10 | 14 |
| 2 | GB3452.1-1992 | O-Seal Ring 24X3.55 | 2 | 16 | 100KBZ-01005 | O-Seal Ring | 4 | 30 | GB/T93-1987 | Washer 10 | 14 |
| 3 | GB/T5787-1986 | Bolt M10X30 | 12 | 17 | 100KBZ-01004 | Impeller | 1 | 31 | GB/T6170-2000 | Nut M10 | 14 |
| 4 | 100KBZ-01006 | Water Outlet Seat | 1 | 18 | 100KBZ-01003 | Deflector | 1 | 32 | GB/T5781-1986 | Bolt M10X20 | 4 |
| 5 | 100KBZ-01007 | Water Outlet Seat Gasket | 1 | 19 | 100KBZ-01014 | Gasket | 1 | 33 | KG270 | Air-cooled Gasoline Engine | 1 |
| 6 | 100KBZ-01009 | Seal Gasket | 2 | 20 | 100KBZ-01012 | Water Inlet Seat | 1 | | | | |
| 7 | 100KBZ-01011 | Water Inlet (Outlet) Pipe | 2 | 21 | 100KBZ-01200 | Flap Valve Subassembly | 1 | | | | |
| 8 | 100KBZ-01008 | Tighten Nut | 2 | 22 | 100KBZ-01002 | Pump Body | 1 | | | | |
| 9 | 100KBZ-01015 | Adjusting Gasket of Pump Cover | 4 | 23 | KM186 | Air-cooled Diesel Engine | 1 | | | | |
| 10 | 100KBZ-01001 | Pump Cover | 1 | 24 | 100KBZ-02000 | Frame Weldment | 1 | | | | |
| 11 | GB/T3452.1-1992 | O-Seal Ring 8X2.65 | 4 | 25 | 100KBZ-03000 | Underframe | 1 | | | | |
| 12 | GB/T5780-2000 | Bolt M8X50 | 4 | 26 | 100KBZ-04000 | # Shock Absorption Block Subassembly | 4 | | | | |
| 13 | GB/T95-2002 | Washer 8 | 4 | 27 | GB/T5781-2000 | Bolt M10X35 | 2 | | | | |
| 14 | GB/T93-1997 | Washer 8 | 4 | 28 | GB/T5781-2000 | Bolt M10X45 | 4 | | | | |